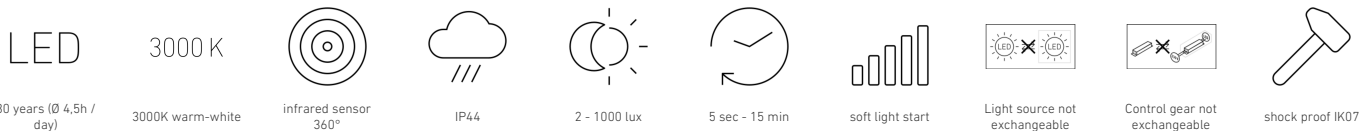


L 690 S

V2 PMMA anthracite
 EAN 4007841 053000
 Article number 053000



Function description

Popular style. Full range of functions. The square sensor-switched L 690 S outdoor light perfectly illuminates front doors (700 lm from a mere 8,5 W). Including sheet of self-adhesive house numbers for illuminating the house number. 360° infrared mini sensor with 4 programmes. Max. reach 7 m. Range of functions too: basic light level function, soft light start, adjustable time and twilight threshold. Aluminium base with impact proof diffuser (IK07). Interconnectable via cable.

Technical specifications

| | |
|---|--|
| Dimensions (L x W x H) | 104 x 291 x 303 mm |
| With lamp | Yes, STEINEL LED system |
| Manufacturer's Warranty | 5 years |
| Settings via | Potentiometers |
| With remote control | No |
| Version | PMMA anthracite |
| PU1, EAN | 4007841053000 |
| Application, place | Outdoors |
| Application, room | outdoors, front door, all round the building, courtyard & driveway |
| Colour | Anthracite |
| includes sheet of self-adhesive house numbers | Yes |
| Installation site | wall |
| Impact resistance | IK07 |
| IP-rating | IP44 |
| Protection class | II |

| | |
|-------------------------------|--|
| Photo-cell controller | Yes |
| Cover material | shrouds |
| Luminous flux total product | 700 lm |
| Measured luminous flux (360°) | 700 lm |
| Total product efficiency | 82 lm/W |
| Colour temperature | 3000 K |
| Colour variation LED | SDCM3 |
| Lamp | LED cannot be replaced |
| LED life expectancy (max. °C) | 50000 h |
| Service life LED L70B50 (25°) | > 60000 h |
| Base | without |
| LED cooling system | Passive Thermo Control |
| Soft light start | Yes |
| Continuous light | selectable, 4h |
| Functions | 4 programme settings geared to practical needs, can be selected on removable sensor module |

L 690 S

V2 PMMA anthracite
 EAN 4007841 053000
 Article number 053000



Technical specifications

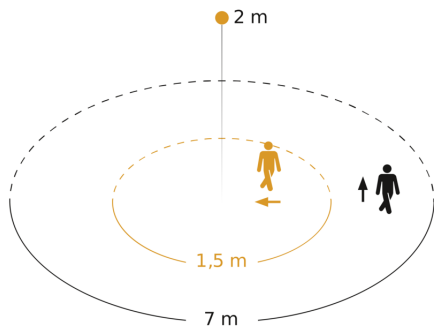
| | |
|---|-------------------------------|
| Ambient temperature | from -20 up to 50 °C |
| Housing material | Aluminium |
| Cover material | Plastic, opal |
| Mains power supply | 220 – 240 V / 50 – 60 Hz |
| Output | 8,5 W |
| Mounting height max. | 2,50 m |
| Slave modeselectable | No |
| Sneak-by guard | Yes |
| Capability of masking out individual segments | Yes |
| Electronic scalability | No |
| Mechanical scalability | No |
| Reach, radial | r = 1.5 m (7 m ²) |
| Reach, tangential | r = 7 m (154 m ²) |

| | |
|--|-----------------------------------|
| Twilight setting | 2 – 1000 lx |
| Time setting | 5 s – 15 Min. |
| Basic light level function | Yes |
| Basic light level function time | 10/30 min, all night |
| Interconnection | Yes |
| Basic light level function in per cent | 10 % |
| Basic light level function percentage, from | 10 % |
| Basic light level function percentage, up to | 10 % |
| Interconnection via | Cable |
| Colour Rendering Index CRI | = 82 |
| Optimum mounting height | 2 m |
| Detection angle | 360 ° |
| Product category | Sensor-switched LED outdoor light |

L 690 S

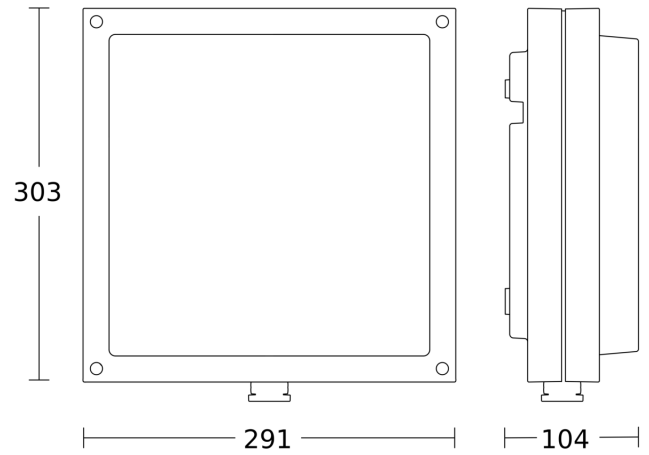
V2 PMMA anthracite
 EAN 4007841 053000
 Article number 053000

Detection Zone

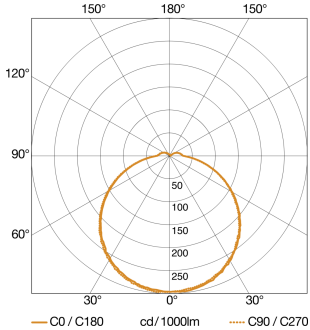


Possible mounting height: 1,80 m - 2,50 m
 Orange: radial
 Black: tangential

Dimension Drawing

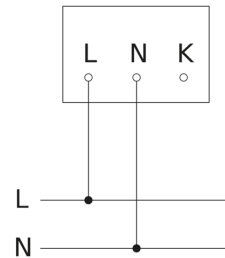


Light Distribution Curve



| | |
|-------------------------------|-------------------------|
| Output | 8,5 W |
| With lamp | Yes, STEINEL LED system |
| Lamp | LED cannot be replaced |
| Measured luminous flux (360°) | 700 lm |
| Colour temperature | 3000 K |
| Colour Rendering Index | = 82 |
| LED life expectancy (max. °C) | 50000 h |
| LED cooling system | Passive Thermo Control |

Circuit diagram



L 690 S

V2 PMMA anthracite
EAN 4007841 053000
Article number 053000

Master/master interconnection circuit diagram

